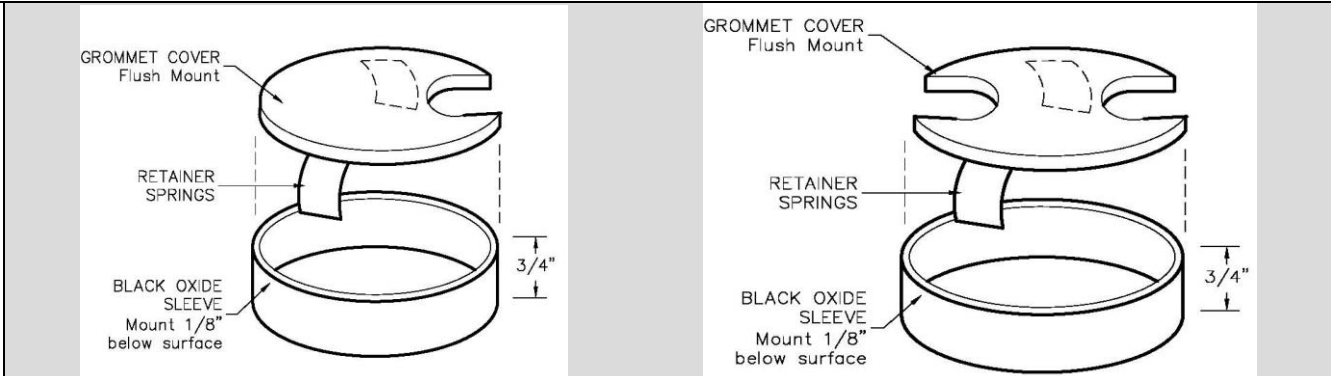


SPECIFICATIONS FLUSH MOUNT GROMMET

FCM-RG-SERIES FLUSH FIT GROMMET

BLACK OXIDE SLEEVE SITS INSIDE OF YOUR WORK SURFACE.



MATTE BLACK	MATTE BLACK	MATTE BLACK	SATIN CHROME POLISH CHROME	SATIN CHROME POLISH CHROME	SATIN CHROME POLISH CHROME	SATIN NICKEL/ MEDIUM ANTIQUE BRONZE POLISH OR SATIN BRASS	SATIN NICKEL/ MEDIUM ANTIQUE BRONZE POLISH OR SATIN BRASS	SATIN NICKEL/ MEDIUM ANTIQUE BRONZE POLISH OR SATIN BRASS
-------------	-------------	-------------	-------------------------------	-------------------------------	-------------------------------	---	---	---

Grommet Cap	Diameter	Slot Size		1-49	50-99	100-499	1-49	50-99	100-499	1-49	50-99	100-499
FCM-RG-800-S	1-3/4"RD	1/2"		12.50	12.40	12.20	13.00	12.60	12.40	19.10	18.50	18.20
FCM-RG-800-D	1-3/4" RD	1/2"	1/2"	12.70	12.50	12.00	12.45	12.05	11.60	20.20	19.50	19.00
FCM-RG-900-S	2-1/4" RD	3/4"		13.30	13.20	13.10	14.50	14.30	14.20	22.60	22.40	22.20
FCM-RG-900-D	2-1/4" RD	3/4"	3/4"	13.90	13.70	13.40	15.60	15.40	15.20	22.90	22.70	21.65
FCM-RG-1000-S	2-1/2" RD	3/4"		14.20	14.10	13.30	16.95	16.30	16.15	23.00	22.75	22.00
FCM-RG-1000-D	2-1/2" RD	3/4"	3/4"	14.40	14.30	13.50	17.60	17.40	17.00	23.20	23.00	22.10
FCM-RG-3000-S	3" RD	1"		13.50	13.30	13.00	18.70	18.30	17.80	22.50	22.00	21.10
FCM-RG-3000-D	3" RD	1"	1"	13.95	13.50	13.30	18.60	18.25	18.00	21.90	21.00	20.50

PRICING ABOVE INCLUDES GROMMET & SLEEVE AS A SET.

BLACK OXIDE SLEEVE PRICING IF PURCHASED SEPARATELY.

3/4" High Overall	1-49	50-99	100-499
FCM-SL-800 1-3/4" RD	5.00	4.50	4.25
FCM-SL-900 2-1/4" RD	7.00	6.50	6.25
FCM-SL-1000 2-1/2" RD	8.25	8.00	7.75
FCM-SL-3000 3" RD	9.50	9.25	8.00

Top of the line in quality,
while still being competitively priced
to fit any budget.

From your conference tables, workstations, countertops, and cabinets too. This grommet can be used horizontally or vertically. Top of the line in quality this grommet will add a touch of color and class wherever you use it.

Our decorative flush mount grommets are beautifully finished, with crisp clean lines,
to allow a perfect fit into your work surface.

Our black oxide sleeve is there to capture the retainer springs, to allow for a clean snug fit for the life of your furniture.



SPECIAL NOTE ABOUT CUTTING/DRILLING HOLES

FCM always advises cutting holes with actual product in hand.

Polishing, Powder Coating, and Plating, all cause slight variations in metal thickness.

Fantasy Creations in Metal Inc. Ph-951.280.0438 Metalsdiva@FCMetals.com www.FCMetals.com

7.25.2022